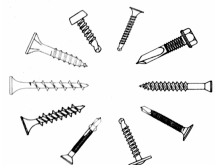




Freze prelucrare

<table border="1"> <thead> <tr> <th>cod</th> <th>d1</th> <th>l2</th> <th>l1</th> <th>d2</th> <th>€/buc</th> </tr> </thead> <tbody> <tr> <td>010008008</td> <td>8</td> <td>14</td> <td>100</td> <td>8</td> <td>14</td> </tr> <tr> <td>020008008</td> <td>8</td> <td>14</td> <td>120</td> <td>8</td> <td>15</td> </tr> </tbody> </table> <p style="text-align: center;">Freza pantograf</p>	cod	d1	l2	l1	d2	€/buc	010008008	8	14	100	8	14	020008008	8	14	120	8	15	<table border="1"> <thead> <tr> <th>cod</th> <th>d1</th> <th>l2</th> <th>l3</th> <th>l1</th> <th>d2</th> <th>€/buc</th> </tr> </thead> <tbody> <tr> <td>080108005</td> <td>5</td> <td>18</td> <td>35</td> <td>80</td> <td>8</td> <td>15</td> </tr> <tr> <td>010108005</td> <td>5</td> <td>18</td> <td>35</td> <td>100</td> <td>8</td> <td>19</td> </tr> <tr> <td>020108175</td> <td>5</td> <td>14</td> <td>75</td> <td>120</td> <td>8</td> <td>24</td> </tr> </tbody> </table> <p style="text-align: center;">Freza picuratori I</p>	cod	d1	l2	l3	l1	d2	€/buc	080108005	5	18	35	80	8	15	010108005	5	18	35	100	8	19	020108175	5	14	75	120	8	24
cod	d1	l2	l1	d2	€/buc																																										
010008008	8	14	100	8	14																																										
020008008	8	14	120	8	15																																										
cod	d1	l2	l3	l1	d2	€/buc																																									
080108005	5	18	35	80	8	15																																									
010108005	5	18	35	100	8	19																																									
020108175	5	14	75	120	8	24																																									
<table border="1"> <thead> <tr> <th>cod</th> <th>d1</th> <th>l2</th> <th>l1</th> <th>d2</th> <th>€/buc</th> </tr> </thead> <tbody> <tr> <td>011008255</td> <td>5</td> <td>25</td> <td>100</td> <td>8</td> <td>18</td> </tr> <tr> <td>080008355</td> <td>5</td> <td>35</td> <td>80</td> <td>8</td> <td>18</td> </tr> <tr> <td>011008005</td> <td>5</td> <td>40</td> <td>100</td> <td>8</td> <td>19</td> </tr> </tbody> </table> <p style="text-align: center;">Freza picurator II</p>	cod	d1	l2	l1	d2	€/buc	011008255	5	25	100	8	18	080008355	5	35	80	8	18	011008005	5	40	100	8	19	<table border="1"> <thead> <tr> <th>cod</th> <th>d1</th> <th>l2</th> <th>l1</th> <th>d2</th> <th>€/buc</th> </tr> </thead> <tbody> <tr> <td>013008355</td> <td>8</td> <td>14</td> <td>100</td> <td>8</td> <td>21</td> </tr> </tbody> </table> <p style="text-align: center;">Freza picurator III</p>	cod	d1	l2	l1	d2	€/buc	013008355	8	14	100	8	21										
cod	d1	l2	l1	d2	€/buc																																										
011008255	5	25	100	8	18																																										
080008355	5	35	80	8	18																																										
011008005	5	40	100	8	19																																										
cod	d1	l2	l1	d2	€/buc																																										
013008355	8	14	100	8	21																																										
<table border="1"> <thead> <tr> <th>cod</th> <th>d1</th> <th>l2</th> <th>l1</th> <th>€/buc</th> </tr> </thead> <tbody> <tr> <td>052100005</td> <td>5</td> <td>23</td> <td>52</td> <td>32</td> </tr> </tbody> </table> <p style="text-align: center;">Freza manuala</p>	cod	d1	l2	l1	€/buc	052100005	5	23	52	32	<table border="1"> <thead> <tr> <th>cod</th> <th>d1</th> <th>l2</th> <th>l1</th> <th>d2</th> <th>€/buc</th> </tr> </thead> <tbody> <tr> <td>011008255</td> <td>5</td> <td>25</td> <td>100</td> <td>8</td> <td>39</td> </tr> <tr> <td>080008355</td> <td>5</td> <td>35</td> <td>80</td> <td>8</td> <td>39</td> </tr> <tr> <td>011008005</td> <td>5</td> <td>40</td> <td>100</td> <td>8</td> <td>39</td> </tr> </tbody> </table> <p style="text-align: center;">Burghiu cremon</p>	cod	d1	l2	l1	d2	€/buc	011008255	5	25	100	8	39	080008355	5	35	80	8	39	011008005	5	40	100	8	39												
cod	d1	l2	l1	€/buc																																											
052100005	5	23	52	32																																											
cod	d1	l2	l1	d2	€/buc																																										
011008255	5	25	100	8	39																																										
080008355	5	35	80	8	39																																										
011008005	5	40	100	8	39																																										
<table border="1"> <thead> <tr> <th>cod</th> <th>d1</th> <th>l1</th> <th>€/buc</th> </tr> </thead> <tbody> <tr> <td>011008255</td> <td>5</td> <td>100</td> <td>20</td> </tr> <tr> <td>080008355</td> <td>5</td> <td>80</td> <td>20</td> </tr> </tbody> </table> <p style="text-align: center;">Freza debavurare</p>	cod	d1	l1	€/buc	011008255	5	100	20	080008355	5	80	20	<table border="1"> <thead> <tr> <th>cod</th> <th>d1</th> <th>l1</th> <th>€/buc</th> </tr> </thead> <tbody> <tr> <td>011008255</td> <td>5</td> <td>100</td> <td>25</td> </tr> </tbody> </table> <p style="text-align: center;">Cutit Don Carlos</p>	cod	d1	l1	€/buc	011008255	5	100	25																										
cod	d1	l1	€/buc																																												
011008255	5	100	20																																												
080008355	5	80	20																																												
cod	d1	l1	€/buc																																												
011008255	5	100	25																																												



Eco Trading SRL

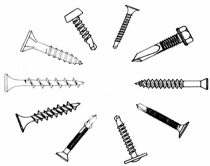
J04/1119/1995-CUI 7712960-cont RO53BTRL00401202433934XX Transilvania-Suc. Bacau
 CS 200 RON Str. Republicii, 74-Bacau; Tel/Fax: 02-34-555474, Mobil: 0744-288290;
 www.surubpvc.ro Email: office@surubpvc.ro

Discuri pentru taiat aluminiu si PVC (unghi negativ si pozitiv)

- aplicatii taiere PVC si aluminiu
- pentru masini automate si manuale

Nr crt	Dimensiuni disc	Tip gaura centrare	Pret(eur/buc)
1	250x 3,2/2,5x 30/32mm 60 TF	UNI 2-7-42	56
2	250x 3,2/2,5x 30/32mm 80 TF	UNI 2-7-42	62
3	275x 3,2/2,5x 40mm 88 TF	2-9-55 / 4-12-64	83
4	300x 3,2/2,5x 30/32mm 96 TF	UNI 2-7-42	71
5	300x 3,2/2,5x 40mm 96 Tfneg	2-9-55 / 4-12-64	86
6	330x 3,2/2,5x 30/32mm 96 TF	UNI	89
7	350x 3,4/2,8x 30/32mm 108 TF	UNI	95
8	350x 3,4/2,8x 40/50mm 84 TF	2-9-55 / 4-12-64	100
9	350x 3,4/2,8x 40/50mm 108 TF	4-15-80	110
10	400x 3,8/3,2x30/32/40mm 96 TFPRO-Line	UNI	130
11	400x 3,8/3,2x30/32/40mm 120 TFRO-Line	UNI	150
12	420x 4,0/3,2x 30mm 108 TF TOP-Line	UNI + 2-10,5-70	165
13	420x 4,0/3,2x 30mm 120 TF TOP-Line	UNI + 2-10,5-70	166
14	420x 4,0/3,2x 40mm 120 TF TOP-Line	4-12-64 / 2-15-80	165
15	450x 4,0/3,2x 30mm 108 Tf TOP-Line	UNI	162
16	450x 4,0/3,2x 30mm 128 Tf TOP-Line	UNI	172
17	500x 4,2/3,6x 30mm 120 TF TOP-Line	UNI + 2-10,5-70	190
18	550x 4,4/3,6x 30mm 132 TF TOP-Line	UNI + 2-10,5-70	238
19	600x 4,6/4,0x 30mm 140 TF TOP-Line	UNI	330

Preturile nu includ TVA

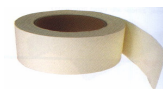


Eco Trading SRL

J04/1119/1995-CUI 7712960-cont RO53BTRL00401202433934XX Transilvania-Suc. Bacau
CS 200 RON Str. Republicii, 74-Bacau; Tel/Fax: 02-34-555474, Mobil: 0744-288290;
www.surubpvc.ro Email: office@surubpvc.ro

Banda adeziva, folie, film stretch

Nr crt	Denumire	Pret(RON)/buc
1	banda adeziva hartie 19mmx50m	2
2	banda adeziva hartie 25mmx50m	2,5
3	banda adeziva hartie 38mmx50m	3,5
4	banda adeziva hartie 50mmx50m	4,5



Banda adeziva ambalare(scotch)

Nr crt	Denumire	Pret(RON)/buc
1	Scotch 48mmx66m transparent	1,7
2	Scotch 48mmx66m maron	1,7



Banda izolatoare

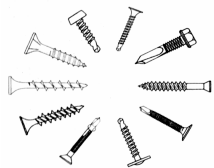
Nr crt	Denumire	Pret(RON)/buc
1	Banda izolatoare 10m	0,75
2	Banda izolatoare 20m	1,2



Folie ,film stretch

Nr crt	Denumire	Pret(RON)/Kg
1	folie 4,2m	5
2	folie solar 8m,10m	10,5
3	film stretch	15/buc

Preturile nu includ TVA



Eco Trading SRL

J04/1119/1995-CUI 7712960-cont RO53BTRL00401202433934XX Transilvania-Suc. Bacau
CS 200 RON Str. Republicii, 74-Bacau; Tel/Fax: 02-34-555474, Mobil: 0744-288290;
www.surubpvc.ro Email: office@surubpvc.ro



Nou in Romania !!!

DIAGER

Burghiu SDS plus cu carbura in Y- rezistent la fier beton.

Avantaj:

Durata de viata este de doua ori fata de un burghiu obisnuit!
Raport calitate/preț excelent!!!

Nr crt	Denumire	Pret (ron/buc)
1	Burghiu SDS plus 6,5x260	18





Comanda minima : 10buc

Preturile nu includ TVA.


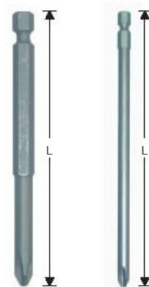
Discuri pentru debitare

																																																																					
<p>Disc TaiereAL&PVC</p> <table border="1" style="width: 100%; border-collapse: collapse;"> <thead> <tr> <th>A</th> <th>B</th> <th>C</th> <th>Z</th> <th>€/buc</th> </tr> </thead> <tbody> <tr><td>250</td><td>3,2</td><td>30/32</td><td>80</td><td>61</td></tr> <tr><td>300</td><td>3,2</td><td>30/32</td><td>96</td><td>76</td></tr> <tr><td>350</td><td>3,4</td><td>30/32</td><td>108</td><td>108</td></tr> <tr><td>400</td><td>3,8</td><td>30/32</td><td>120</td><td>148</td></tr> <tr><td>420</td><td>4,0</td><td>30</td><td>120</td><td>160</td></tr> <tr><td>450</td><td>4,0</td><td>30</td><td>108</td><td>170</td></tr> </tbody> </table>	A	B	C	Z	€/buc	250	3,2	30/32	80	61	300	3,2	30/32	96	76	350	3,4	30/32	108	108	400	3,8	30/32	120	148	420	4,0	30	120	160	450	4,0	30	108	170	<p>Disc taiere armatura</p> <table border="1" style="width: 100%; border-collapse: collapse;"> <thead> <tr> <th>A</th> <th>B</th> <th>C</th> <th>Z</th> <th>€/buc</th> </tr> </thead> <tbody> <tr><td>225</td><td>2</td><td>32</td><td>80</td><td>42</td></tr> <tr><td>250</td><td>2</td><td>32</td><td>96</td><td>46</td></tr> <tr><td>275</td><td>2</td><td>32</td><td>108</td><td>55</td></tr> </tbody> </table>	A	B	C	Z	€/buc	225	2	32	80	42	250	2	32	96	46	275	2	32	108	55													
A	B	C	Z	€/buc																																																																	
250	3,2	30/32	80	61																																																																	
300	3,2	30/32	96	76																																																																	
350	3,4	30/32	108	108																																																																	
400	3,8	30/32	120	148																																																																	
420	4,0	30	120	160																																																																	
450	4,0	30	108	170																																																																	
A	B	C	Z	€/buc																																																																	
225	2	32	80	42																																																																	
250	2	32	96	46																																																																	
275	2	32	108	55																																																																	
																																																																					
<p>Disc abraziv</p> <table border="1" style="width: 100%; border-collapse: collapse;"> <thead> <tr> <th>A</th> <th>B</th> <th>C</th> <th>€/buc</th> </tr> </thead> <tbody> <tr><td>115</td><td>2/2,5/3,2</td><td>22,2</td><td>0,65</td></tr> <tr><td>125</td><td>2/2,5/3,2</td><td>22,2</td><td>0,71</td></tr> <tr><td>180</td><td>2,5/3,2</td><td>22,2</td><td>0,93</td></tr> <tr><td>230</td><td>2,5/3,2</td><td>22,2</td><td>1,35</td></tr> <tr><td>350</td><td>3,5</td><td>25,4</td><td>4,20</td></tr> <tr><td>400</td><td>4,0</td><td>25,4</td><td>4,40</td></tr> </tbody> </table>	A	B	C	€/buc	115	2/2,5/3,2	22,2	0,65	125	2/2,5/3,2	22,2	0,71	180	2,5/3,2	22,2	0,93	230	2,5/3,2	22,2	1,35	350	3,5	25,4	4,20	400	4,0	25,4	4,40	<p>Burghiu beton SDS PLUS</p> <table border="1" style="width: 100%; border-collapse: collapse;"> <thead> <tr> <th>Diam(mm)</th> <th>€/buc</th> <th>Diam(mm)</th> <th>€/buc</th> </tr> </thead> <tbody> <tr><td>6x210</td><td>2,36</td><td>8x160</td><td>2,93</td></tr> <tr><td>6x260</td><td>4,03</td><td>8x210</td><td>3,48</td></tr> <tr><td>6,5x210</td><td>4,18</td><td>8x260</td><td>3,93</td></tr> <tr><td>6,5x260</td><td>4,00</td><td>8x310</td><td>6,32</td></tr> </tbody> </table>	Diam(mm)	€/buc	Diam(mm)	€/buc	6x210	2,36	8x160	2,93	6x260	4,03	8x210	3,48	6,5x210	4,18	8x260	3,93	6,5x260	4,00	8x310	6,32																				
A	B	C	€/buc																																																																		
115	2/2,5/3,2	22,2	0,65																																																																		
125	2/2,5/3,2	22,2	0,71																																																																		
180	2,5/3,2	22,2	0,93																																																																		
230	2,5/3,2	22,2	1,35																																																																		
350	3,5	25,4	4,20																																																																		
400	4,0	25,4	4,40																																																																		
Diam(mm)	€/buc	Diam(mm)	€/buc																																																																		
6x210	2,36	8x160	2,93																																																																		
6x260	4,03	8x210	3,48																																																																		
6,5x210	4,18	8x260	3,93																																																																		
6,5x260	4,00	8x310	6,32																																																																		
																																																																					
<p>Burghiu metal 338-scurt</p> <table border="1" style="width: 100%; border-collapse: collapse;"> <thead> <tr> <th>Diam(mm)</th> <th>€/buc</th> <th>Diam(mm)</th> <th>€/buc</th> </tr> </thead> <tbody> <tr><td>2</td><td>0,37</td><td>6</td><td>0,88</td></tr> <tr><td>2,5</td><td>0,42</td><td>6,5</td><td>1,18</td></tr> <tr><td>3</td><td>0,42</td><td>7</td><td>1,45</td></tr> <tr><td>3,5</td><td>0,48</td><td>8</td><td>1,69</td></tr> <tr><td>4</td><td>0,54</td><td>9</td><td>2,18</td></tr> <tr><td>4,2</td><td>0,63</td><td>10</td><td>3,23</td></tr> <tr><td>4,5</td><td>0,63</td><td>11</td><td>3,83</td></tr> <tr><td>5</td><td>0,67</td><td>12</td><td>4,34</td></tr> <tr><td>5,5</td><td>0,54</td><td>13</td><td>5,35</td></tr> </tbody> </table>	Diam(mm)	€/buc	Diam(mm)	€/buc	2	0,37	6	0,88	2,5	0,42	6,5	1,18	3	0,42	7	1,45	3,5	0,48	8	1,69	4	0,54	9	2,18	4,2	0,63	10	3,23	4,5	0,63	11	3,83	5	0,67	12	4,34	5,5	0,54	13	5,35	<p>Burghiu metal 340 -lung</p> <table border="1" style="width: 100%; border-collapse: collapse;"> <thead> <tr> <th>Diam(mm)</th> <th>€/buc</th> <th>Diam(mm)</th> <th>€/buc</th> </tr> </thead> <tbody> <tr><td>3</td><td>0,82</td><td>6</td><td>1,60</td></tr> <tr><td>3,5</td><td>0,82</td><td>6,5</td><td>2,04</td></tr> <tr><td>4</td><td>1,00</td><td>7</td><td>2,36</td></tr> <tr><td>4,2</td><td>1,00</td><td>8</td><td>3,23</td></tr> <tr><td>4,5</td><td>1,22</td><td>9</td><td>3,23</td></tr> <tr><td>5</td><td>1,45</td><td>10</td><td>3,83</td></tr> </tbody> </table>	Diam(mm)	€/buc	Diam(mm)	€/buc	3	0,82	6	1,60	3,5	0,82	6,5	2,04	4	1,00	7	2,36	4,2	1,00	8	3,23	4,5	1,22	9	3,23	5	1,45	10	3,83
Diam(mm)	€/buc	Diam(mm)	€/buc																																																																		
2	0,37	6	0,88																																																																		
2,5	0,42	6,5	1,18																																																																		
3	0,42	7	1,45																																																																		
3,5	0,48	8	1,69																																																																		
4	0,54	9	2,18																																																																		
4,2	0,63	10	3,23																																																																		
4,5	0,63	11	3,83																																																																		
5	0,67	12	4,34																																																																		
5,5	0,54	13	5,35																																																																		
Diam(mm)	€/buc	Diam(mm)	€/buc																																																																		
3	0,82	6	1,60																																																																		
3,5	0,82	6,5	2,04																																																																		
4	1,00	7	2,36																																																																		
4,2	1,00	8	3,23																																																																		
4,5	1,22	9	3,23																																																																		
5	1,45	10	3,83																																																																		





Biti pentru insurubare manuala





							
25mm		50mm		Prelungitor magnetic		Adaptor SDS plus	
Tip	€/buc	Tip	€/buc	Tip	€/buc	Tip	€/buc
PH/Z 1-3	0,38	PH/Z 1-3		60mm	3,1	74mm	6,2
TX 15-30	1,20	TX 15-30		75mm	3,3		
				100mm	3,4		





Biti pentru insurubare automata





					
COD	Tip	€/buc	COD	Tip	€/buc
900008185	M5x33	6	900000187	150mm	7
900000079	M5x45	6	900000188	152mm	7

Diverse

			
Masina gaurit	Surubelnita	Micropolizor	Furtun flexibil
Tip	Tip	Tip	Tip
1800rot	1800rot	50.000rot	5m
€/buc	€/buc	€/buc	€/buc
43	65	128	13
			7m
			17

			
Ciocan cauciuc/plastic	Ventuze	Lopatica calare	Levier
Tip	Tip	Tip	Tip
cauciuc	2 ventuze	plastic	600mm
teflon	3 ventuze	€/buc	800mm
€/buc	€/buc		€/buc
2	28		3
4,4	46		3,5

																																	
Nivela Stanley	Ruleta Stanley	Lada scule+org	Cutter																														
<table border="1"> <thead> <tr> <th>Tip</th> <th>€/buc</th> </tr> </thead> <tbody> <tr> <td>30cm</td> <td>7</td> </tr> <tr> <td>50cm</td> <td>8,5</td> </tr> <tr> <td>60cm</td> <td>9</td> </tr> </tbody> </table>	Tip	€/buc	30cm	7	50cm	8,5	60cm	9	<table border="1"> <thead> <tr> <th>Tip</th> <th>€/buc</th> </tr> </thead> <tbody> <tr> <td>3m</td> <td>2,8</td> </tr> <tr> <td>5m</td> <td>4,6</td> </tr> <tr> <td>8m</td> <td>7,8</td> </tr> </tbody> </table>	Tip	€/buc	3m	2,8	5m	4,6	8m	7,8	<table border="1"> <thead> <tr> <th>Tip</th> <th>€/buc</th> </tr> </thead> <tbody> <tr> <td>535mm</td> <td>18</td> </tr> <tr> <td>550mm</td> <td>20</td> </tr> <tr> <td>660mm</td> <td>30</td> </tr> </tbody> </table>	Tip	€/buc	535mm	18	550mm	20	660mm	30	<table border="1"> <thead> <tr> <th>Tip</th> <th>€/buc</th> </tr> </thead> <tbody> <tr> <td>Toper</td> <td>1,16</td> </tr> <tr> <td>Stanley</td> <td>4,60</td> </tr> </tbody> </table>	Tip	€/buc	Toper	1,16	Stanley	4,60
Tip	€/buc																																
30cm	7																																
50cm	8,5																																
60cm	9																																
Tip	€/buc																																
3m	2,8																																
5m	4,6																																
8m	7,8																																
Tip	€/buc																																
535mm	18																																
550mm	20																																
660mm	30																																
Tip	€/buc																																
Toper	1,16																																
Stanley	4,60																																

																			
Folie cu bule	Film stretch	Scotch	Sfoara legat																
<table border="1"> <thead> <tr> <th>Tip</th> <th>€/mp</th> </tr> </thead> <tbody> <tr> <td></td> <td>0,13</td> </tr> </tbody> </table>	Tip	€/mp		0,13	<table border="1"> <thead> <tr> <th>Tip</th> <th>€/buc</th> </tr> </thead> <tbody> <tr> <td>60cm</td> <td>3,7</td> </tr> </tbody> </table>	Tip	€/buc	60cm	3,7	<table border="1"> <thead> <tr> <th>Tip</th> <th>€/buc</th> </tr> </thead> <tbody> <tr> <td>60mm</td> <td>3,1</td> </tr> </tbody> </table>	Tip	€/buc	60mm	3,1	<table border="1"> <thead> <tr> <th>Tip</th> <th>€/buc</th> </tr> </thead> <tbody> <tr> <td>10mm/70m</td> <td>24</td> </tr> </tbody> </table>	Tip	€/buc	10mm/70m	24
Tip	€/mp																		
	0,13																		
Tip	€/buc																		
60cm	3,7																		
Tip	€/buc																		
60mm	3,1																		
Tip	€/buc																		
10mm/70m	24																		

Preturile nu includ TVA